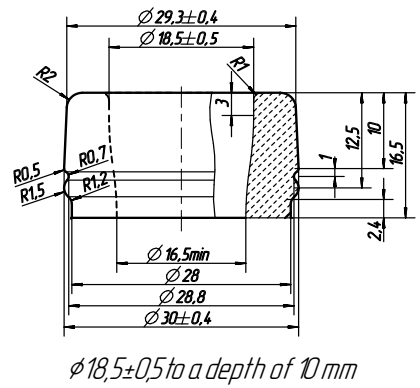
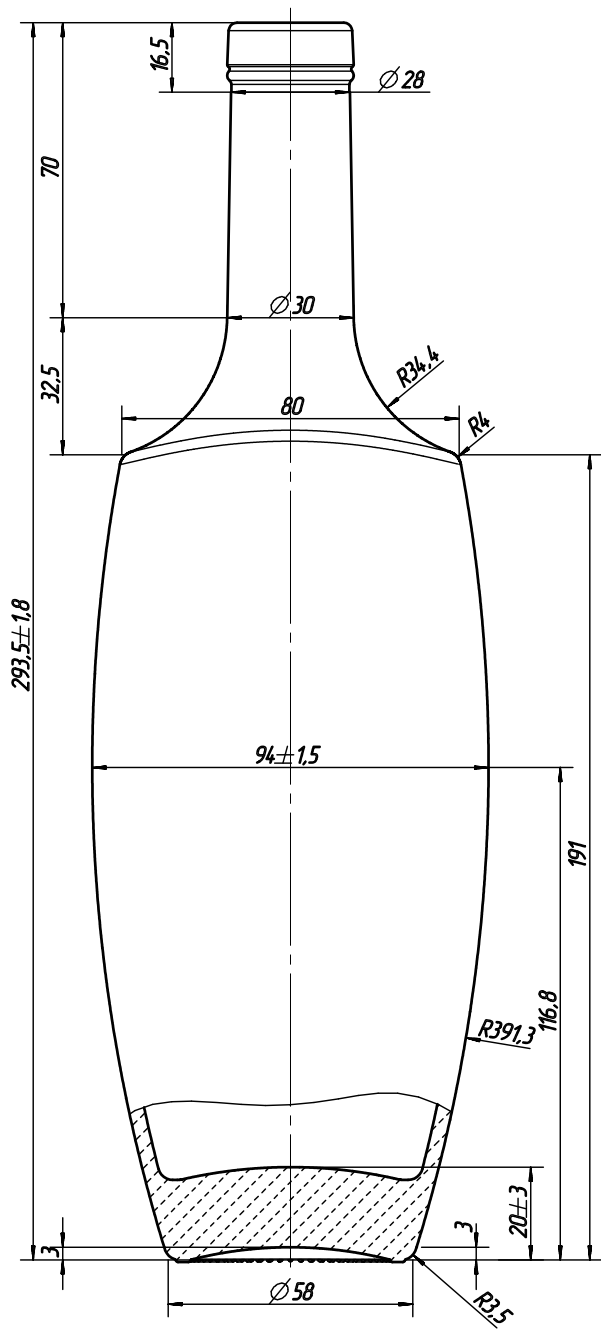


ELEMENT

0.500



KMC
G L A S S



- ⌘ Element 0.500
- ⌘ Weight – 570 g
- ⌘ Filling CAP – 500 ml
- ⌘ Color – Flint
- ⌘ Diameter – 94 ± 1.5

www.kmc.glass
sales@kmc.glass

KMC
GLASS